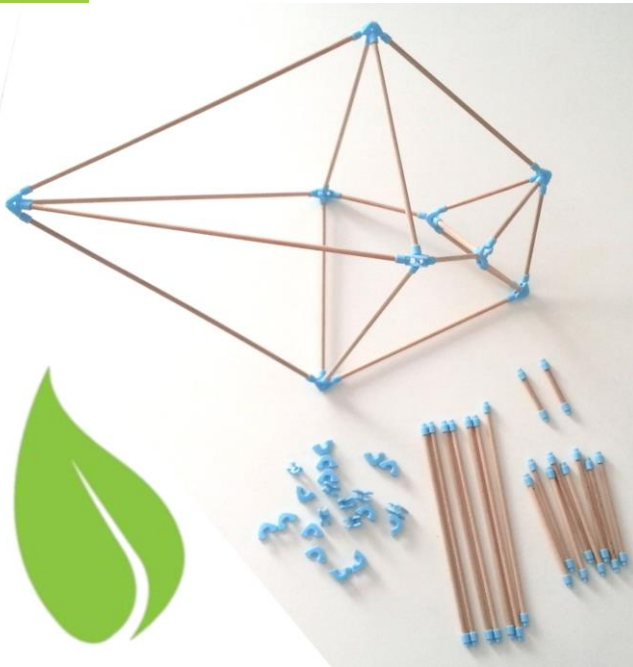
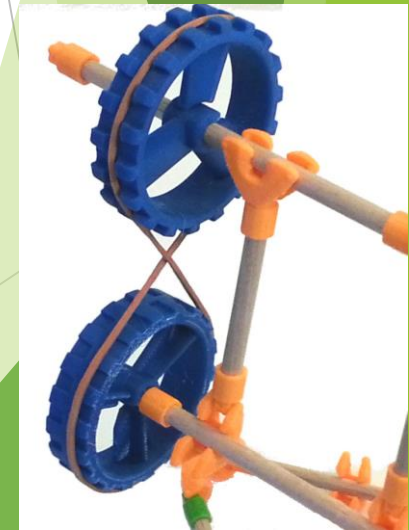
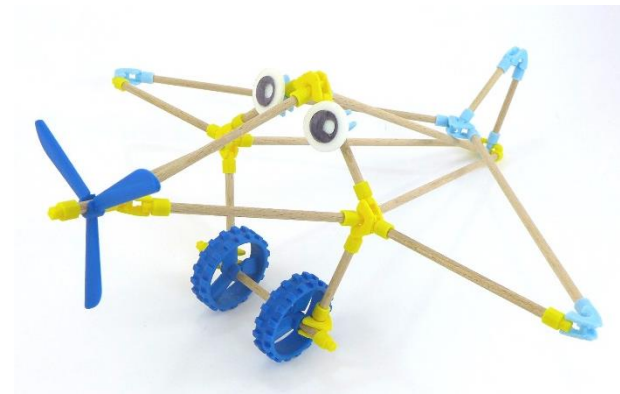


# Innovative and inspiring construction set

*“Play, learn, create”*



Cost-reduced  
Fun & inspiring  
Adapted to bio-based plastic  
Wide market opportunities  
Patented



# The heart of innovation : the smart connector

You will need to **produce and use only ONE CONNECTOR** to assemble the sticks together, for unlimited creativity and construction possibilities.

*Other construction sold on the market are based on 6 to 9 different connectors!*

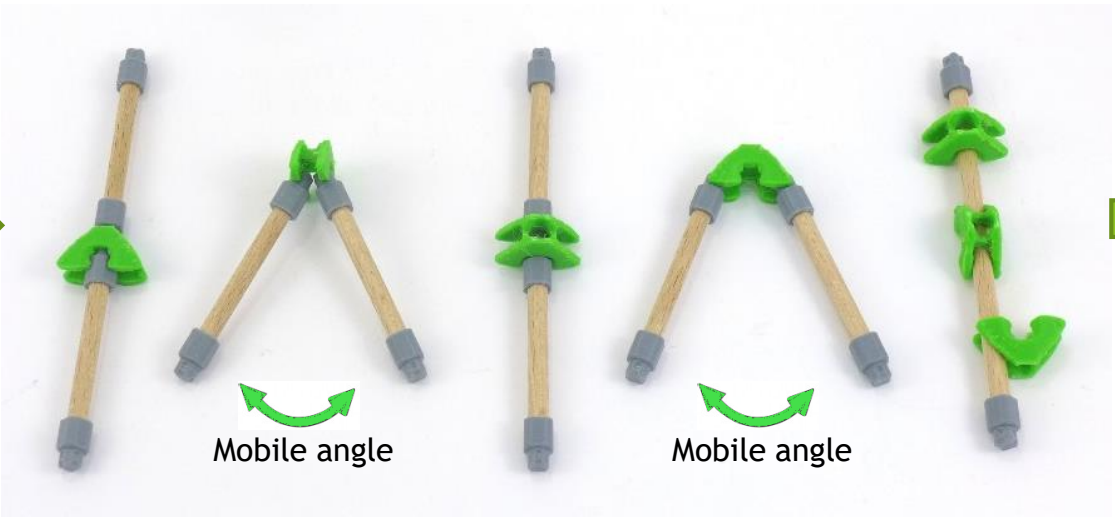
**1 smart connector...**

**> 10 mobile and fixe assembly possibilities...**

**Infinite creativity and constructions !**



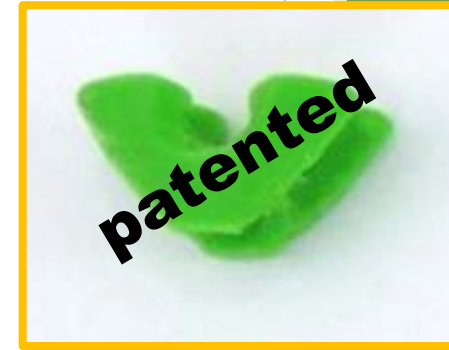
**patented**



# Designed to be eco-friendly...

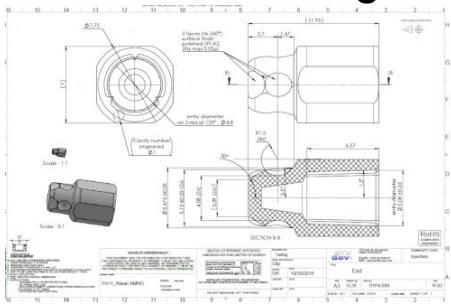
2 years of R&D and a worldwide patent to develop the SMART CONNECTOR

You have the choice to make it with traditional or bio-based plastics.

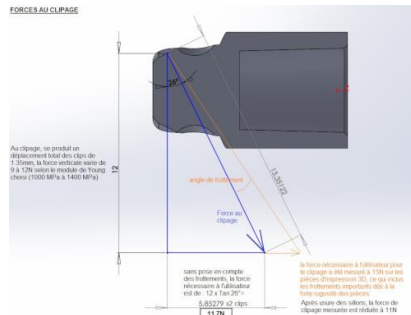


## R&D reports :

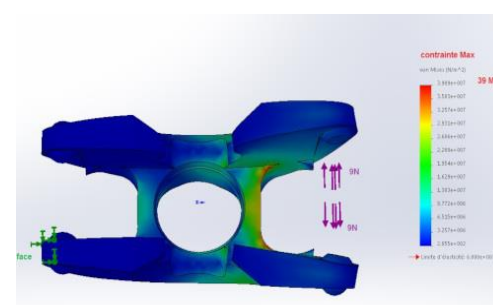
### Industrial drawings



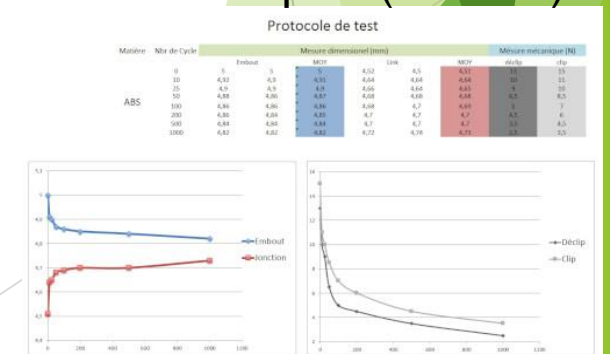
### Strain calculation



### Strain simulations



### Wear test report (erosion)



# Milestones and next steps

Pre-industrialisation process is achieved

Production, marketing and sales need to be done

Technical specifications

Prototyping

Standard compliances  
2009-48-CE  
& NF EN-71

Tool costing

Design /  
packaging

Market  
launch

3D  
modeling

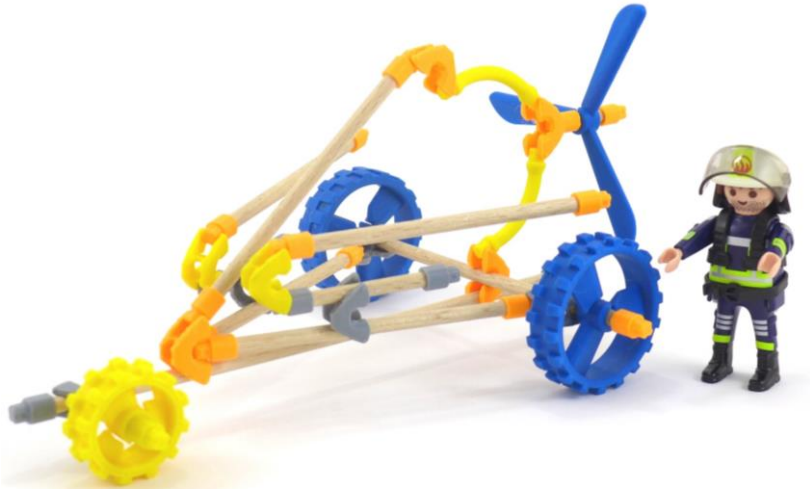
Tests and  
calculation

Drawings &  
industrialisation

Patent  
deposit

Marketing / Com /  
Distribution

# Construct AND play with other toys

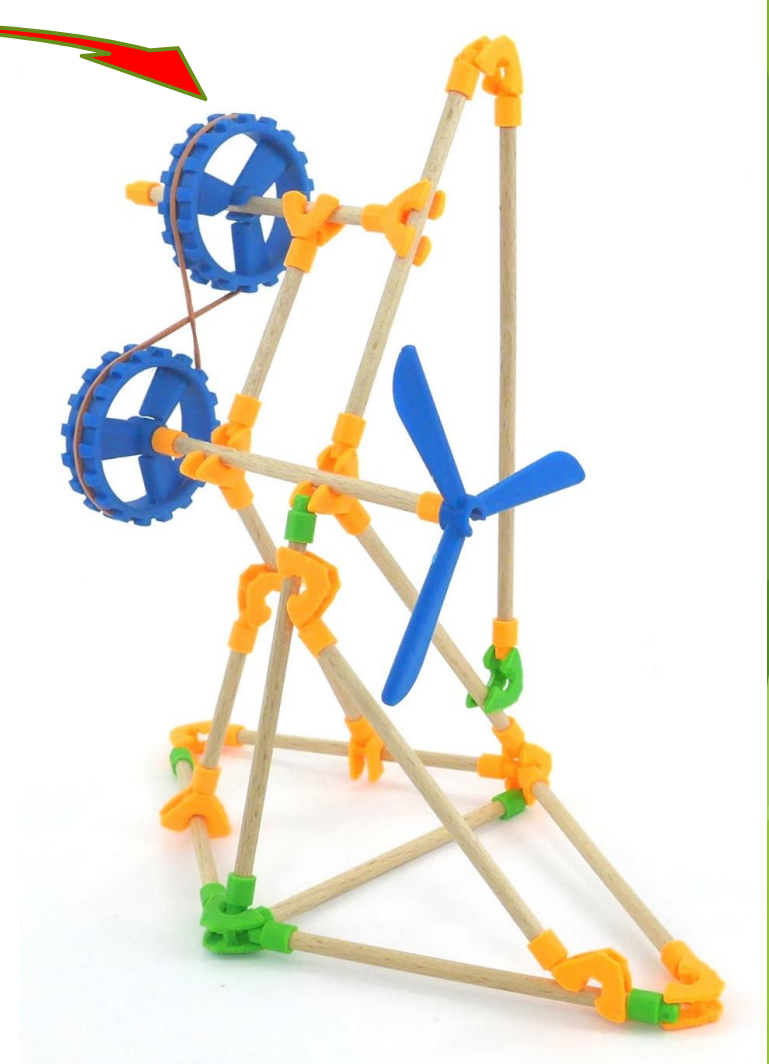


building shapes is fun, but playing with your own creations is better

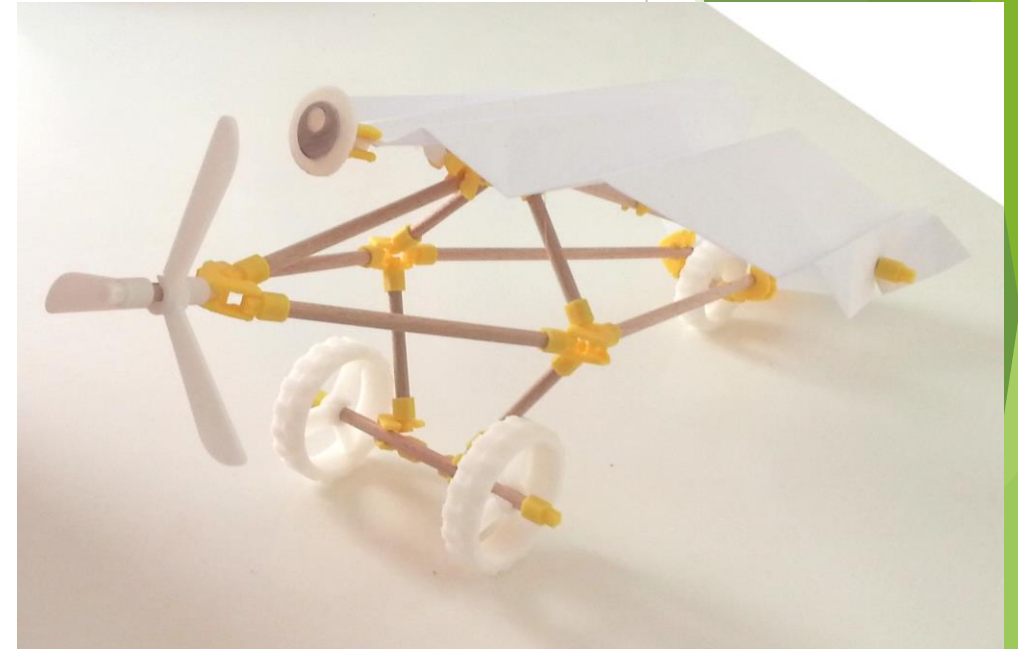
# Mobile possibilities : the wheel is a pulley, make your construction live !



An elastic ... and the construction gets mechanical properties



# DIY ideas to make it evolutive and flexible



A sheet of paper... and you  
customize the airplane

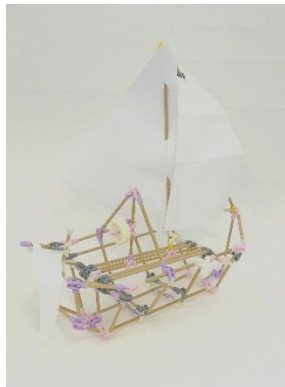
# Ready to start a new inventor community ?

## Who are we?

We are an innovation engineering office, and great creatives! Parents of young children, we wanted to create a game that does not exist on the market and that meets our parents requirements: eco-friendly, safe, fun, educative and inspiring. We had this game tested by dozens of kids!



Bluetooth motor module driven by smartphone



Big constructions

## Why do we contact you?

As we have said, we are inventors... not sellers! But we would love to see our new toy on the market, and knowing that children play with it. Thus we're looking for a toy **manufacturer** who can **put this innovation on the market**. The patent and all R&D reports are for sell. Our study package includes: design, calculations, industrial drawings, prototypes, physical tests and world patent.



4 bar lengths from 2,5 cm to 20 cm



Color examples

## Let's talk about it!

Feel free to contact us! We can just avec a little chat on the phone, or we can have a skype. Even better : you can come and meet us in our wonderful city in the French Alps, or we come and visit you. If you feel that it should be a good opportunity for your business, thank you to contact us.



Annecy  
France

